

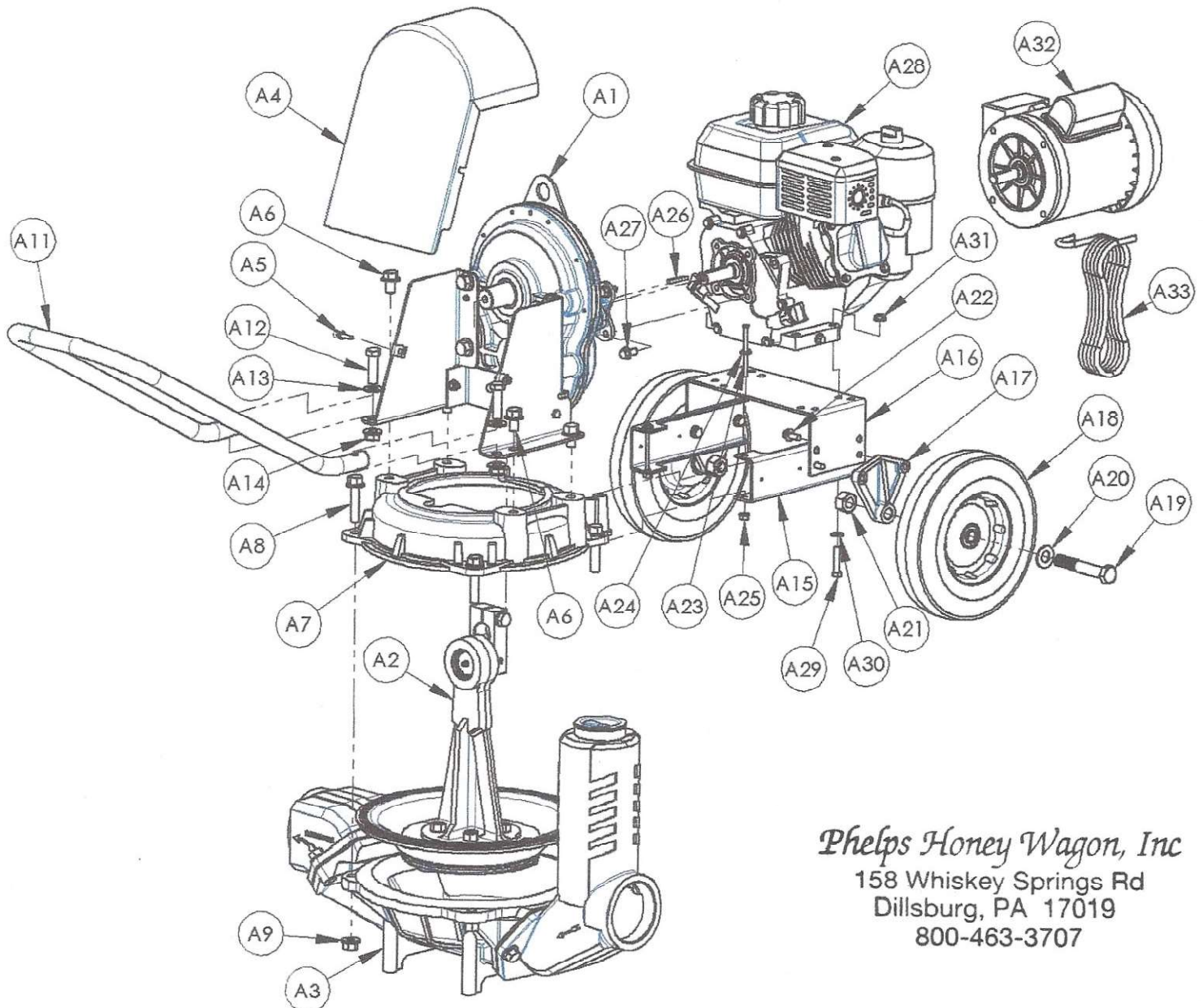
# Diaphragm Pumps

**For Repair Parts contact dealer where pump was purchased.**

*Please provide following information:*

- Model Number
- Serial Number (if any)

*Part description and number as shown in parts list*



*Phelps Honey Wagon, Inc*  
 158 Whiskey Springs Rd  
 Dillsburg, PA 17019  
 800-463-3707

Assembled Pump - Figure A

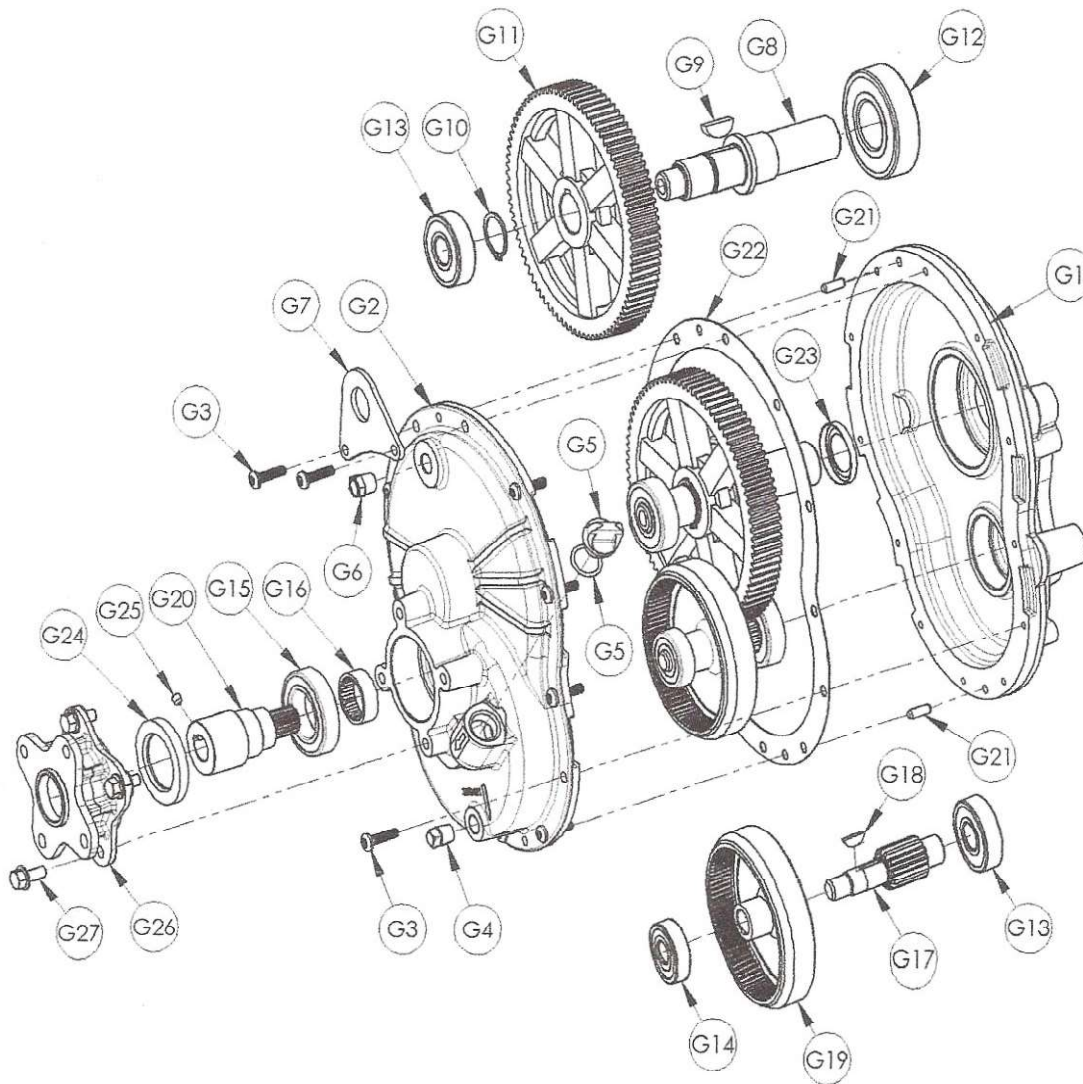
# Diaphragm Pumps

**For Repair Parts contact dealer where pump was purchased.**

Please provide following information:

- Model Number
- Serial Number (if any)

Part description and number as shown in parts list



Gearbox - Figure G

# Diaphragm Pumps

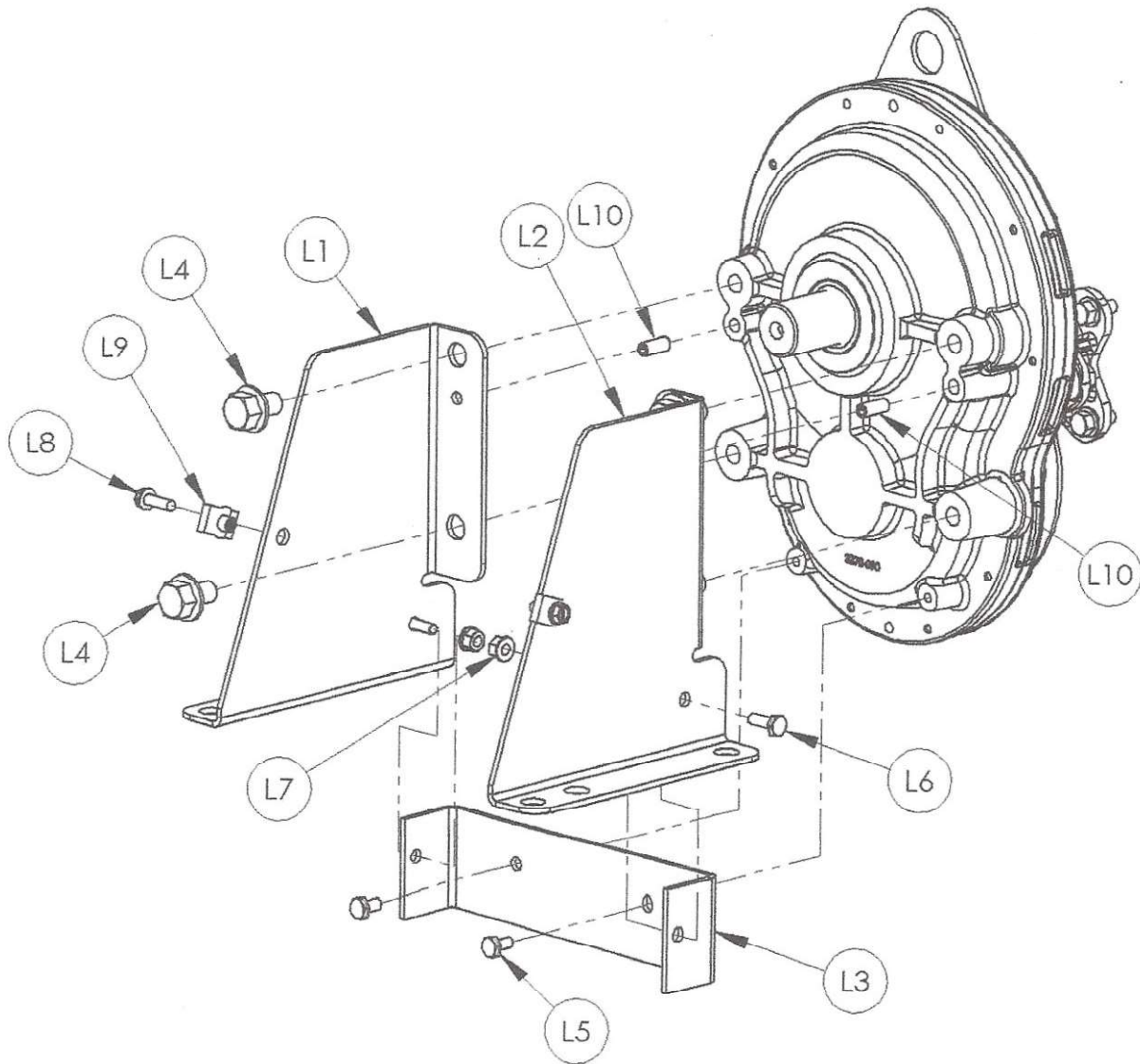
**For Repair Parts contact dealer where pump was purchased.**

*Please provide following information:*

*-Model Number*

*-Serial Number (if any)*

*Part description and number as shown in parts list*



Gearbox Feet - Figure L





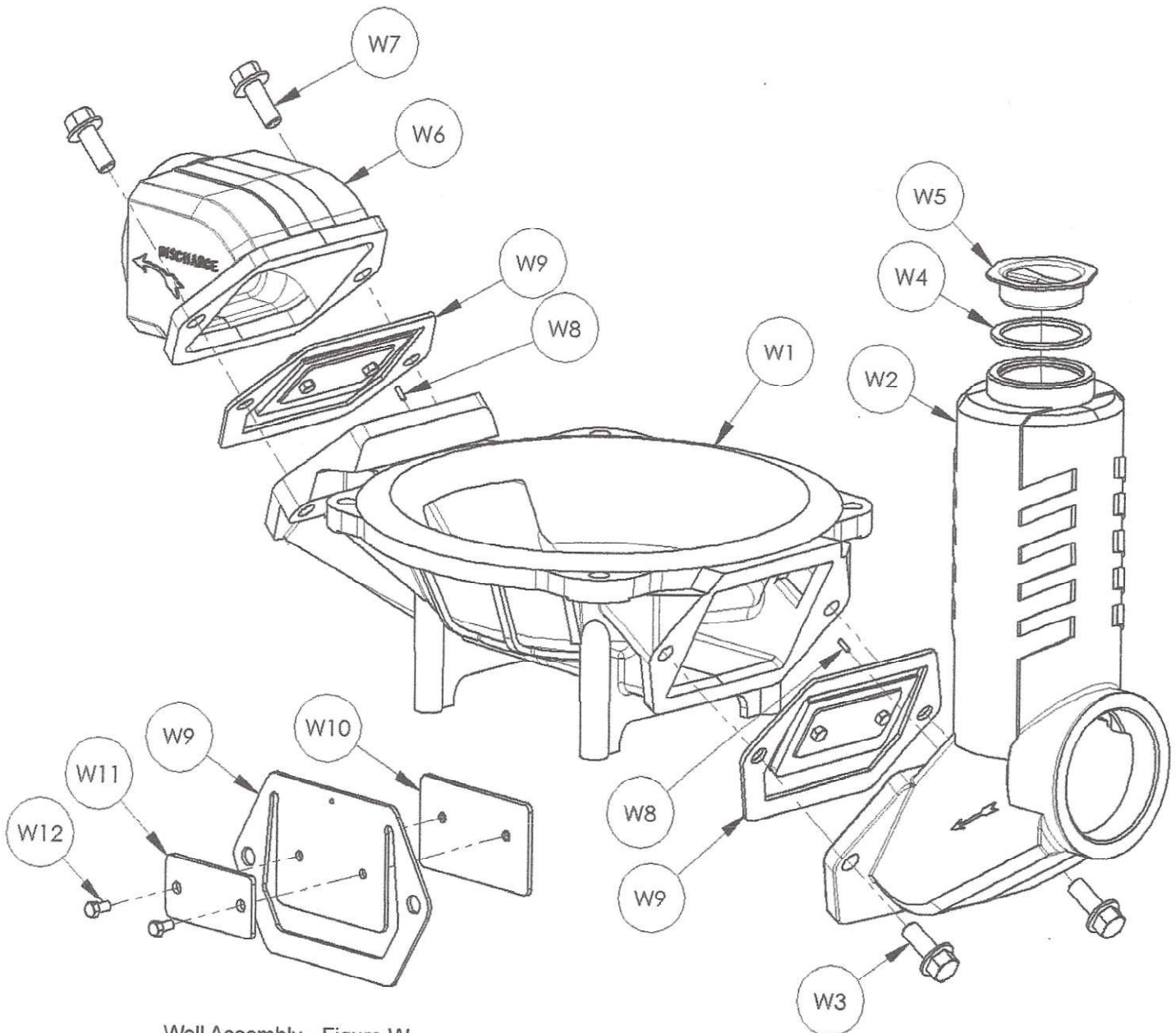
# Diaphragm Pumps

**For Repair Parts contact dealer where pump was purchased.**

*Please provide following information:*

- Model Number
- Serial Number (if any)

*Part description and number as shown in parts list*



Well Assembly - Figure W